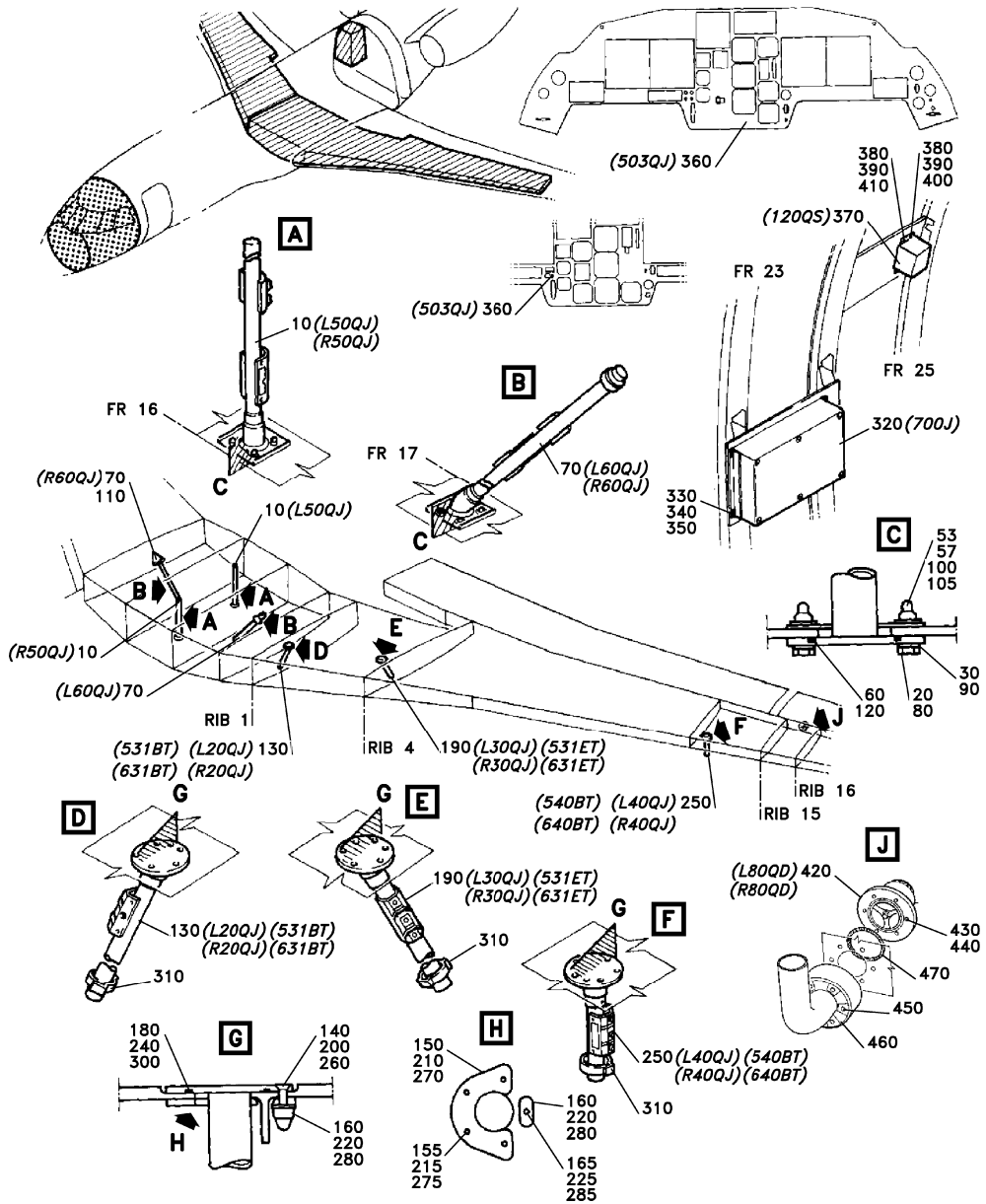


**Falcon 2000
ILLUSTRATED PARTS CATALOG**

**AIPC 28-41-10-10
FUEL QUANTITY INDICATING SYSTEM**

Sheet 1



Falcon 2000
ILLUSTRATED PARTS CATALOG

FIG ITEM	PART NUMBER	NOMENCLATURE		EFFECT. USAGE CODE	UNITS PER ASSY
		1234567	INDEX		
10 -001A		FUEL QUANTITY INDICATING SYSTEM			1
010A	768343-1	.GAUGE,FUEL OPT TO 768-343-1 L50QJ R50QJ		From: 001 To: 231	2
010B	768-343-1	.GAUGE,FUEL OPT TO 768343-1 L50QJ R50QJ		From: 001 To: 231	2
ATTACHING PARTS					
020A	AN173-6	.SCREW		From: 001 To: 231	8
030A	AN960PD10L	.WASHER OPT TO NAS1149D0316K		From: 001 To: 231	8

-050A	768526	..LEVEL,DETECTOR			1
053A	FGFB237004030	.PLATE,ASSY		From: 001 To: 231	2
057A	FMA2502-02	..ANCHOR NUT			4
060A	MS29513-137	.PACKING,PREFORMED		From: 001 To: 231	2
070A	768342-3	.GAUGE,FUEL OPT TO 768-342-3 L60QJ R60QJ		From: 001 To: 231	2
070B	768-342-3	.GAUGE,FUEL OPT TO 768342-3 L60QJ R60QJ		From: 001 To: 231	2
ATTACHING PARTS					
080A	AN173-6	.SCREW		From: 001 To: 231	8
090A	AN960PD10L	.WASHER OPT TO NAS1149D0316K		From: 001 To: 231	8

100A	FGFB237004070	.PLATE		From: 001 To: 231	2
105A	SE98X3	..NUT			4
110A	11183	.STICKER,ARROW (NP)		From: 001 To: 231	2

Falcon 2000
ILLUSTRATED PARTS CATALOG

FIG ITEM	PART NUMBER	NOMENCLATURE		EFFECT. USAGE CODE	UNITS PER ASSY	
		1234567	INDEX			
120A	MS29513-137	.PACKING,PREFORMED		From: 001 To: 231	2	
130A	768339-1	.GAUGE,FUEL OPT TO 768-339-1		From: 001 To: 231	2	
		L20QJ R20QJ 531BT 631BT				
		ATTACHING PARTS				
140A	NAS517-3-8	.SCREW		From: 001 To: 231	10	
140B	NAS1153-9	.SCREW		From: 001 To: 231	10	

150A	F50B116053B5	.SHIM		From: 001 To: 231	2	
150B	F50B116053B6	.SHIM		From: 001 To: 231	2	
155A	NAS1473A3	..ANCHOR NUT		150B	4	
160A	F50B116054B5	.SHIM		From: 001 To: 231	2	
160B	F50B116054B6	.SHIM		From: 001 To: 231	2	
165A	NAS1473A3	..ANCHOR NUT		160B	1	
180A	MS29513-137	.PACKING,PREFORMED		From: 001 To: 231	2	
190A	768340-1	.GAUGE,FUEL OPT TO 768-340-1		From: 001 To: 231	2	
		L30QJ R30QJ 531ET 631ET				
		ATTACHING PARTS				
200A	NAS517-3-8	.SCREW		From: 001 To: 231	10	
200B	NAS1153-9	.SCREW		From: 001 To: 231	10	

210A	F50B116053B5	.SHIM		From: 001 To: 231	2	
210B	F50B116053B6	.SHIM		From: 001 To: 231	2	

Falcon 2000
ILLUSTRATED PARTS CATALOG

FIG ITEM	PART NUMBER	NOMENCLATURE		EFFECT. USAGE CODE	UNITS PER ASSY
		1234567	INDEX		
215A	NAS1473A3	..ANCHOR NUT		210B	4
220A	F50B116054B5	.SHIM		From: 001 To: 231	2
220B	F50B116054B6	.SHIM		From: 001 To: 231	2
225A	NAS1473A3	..ANCHOR NUT		220B	1
240A	MS29513-137	.PACKING,PREFORMED		From: 001 To: 231	2
250A	768341-1	.GAUGE,FUEL OPT TO 768-341-1		From: 001 To: 231	2
		ATTACHING PARTS			
260A	NAS517-3-8	.SCREW		From: 001 To: 231	10
260B	NAS1153-9	.SCREW		From: 001 To: 231	10

270A	F50B116053B5	.SHIM		From: 001 To: 231	2
270B	F50B116053B6	.SHIM		From: 001 To: 231	2
275A	NAS1473A3	..ANCHOR NUT		270B	4
280A	F50B116054B5	.SHIM		From: 001 To: 231	2
280B	F50B116054B6	.SHIM		From: 001 To: 231	2
285A	NAS1473A3	..ANCHOR NUT		280B	1
300A	MS29513-137	.PACKING,PREFORMED		From: 001 To: 231	2
310A	KR6-18HS	.CLAMP		From: 001 To: 231	6
310B	KR6-35HS	.CLAMP		From: 001 To: 231	6
320A	736-659-2	.COMPUTER,FUEL QUANTITY MANAGEMENT OPT TO 736659-2		From: 001 To: 017	1

L40QJ
R40QJ
540BT
640BT

70QJ

Falcon 2000
ILLUSTRATED PARTS CATALOG

FIG ITEM	PART NUMBER	NOMENCLATURE		EFFECT. USAGE CODE	UNITS PER ASSY
		1234567	INDEX		
320B	736659-4	.COMPUTER,FUEL QUANTITY MANAGEMENT 70QJ		From: 001 To: 017	1
320C	736659-5	.COMPUTER,FUEL QUANTITY MANAGEMENT 70QJ		From: 018 To: 032	1
320D	736659-6	.COMPUTER,FUEL QUANTITY MANAGEMENT 70QJ (OR AFTER SB F2000-43)		From: 033 To: 061 From: 063 To: 069	1
320E	736659-7	.COMPUTER,FUEL QUANTITY MANAGEMENT 70QJ (OR AFTER SB F2000-43)		From: 033 To: 061 From: 063 To: 069	1
320F	736659-8	.COMPUTER,FUEL QUANTITY MANAGEMENT 70QJ (OR AFTER SB F2000-43)		From: 062 To: 062 From: 070 To: 231	1
320G	736659-10	.COMPUTER,FUEL QUANTITY MANAGEMENT 70QJ (OR AFTER SB F2000-43)		From: 062 To: 062 From: 070 To: 231	1
320H	736659-60	.COMPUTER,FUEL QUANTITY MANAGEMENT 70QJ (OR AFTER SB F2000-43)		From: 062 To: 062 From: 070 To: 231	1
320J	736659-62	.COMPUTER,FUEL QUANTITY MANAGEMENT 70QJ (RETROFIT)		From: 001 To: 231	1
320K	736659-11	.COMPUTER,FUEL QUANTITY MANAGEMENT 70QJ		From: 062 To: 062 From: 070 To: 231	1
320L	736659-63	.COMPUTER,FUEL QUANTITY MANAGEMENT 70QJ		From: 062 To: 062 From: 070 To: 231	1
320M	736659-64	.COMPUTER,FUEL QUANTITY MANAGEMENT 70QJ		From: 062 To: 062 From: 070 To: 231	1
320N	736659-12	.COMPUTER,FUEL QUANTITY MANAGEMENT 70QJ		From: 062 To: 062 From: 070 To: 231	1
ATTACHING PARTS					
330A	AN173-4A	.SCREW		From: 001 To: 231	4
340A	AN960-10L	.WASHER OPT TO NAS1149F0332P		From: 001 To: 231	8

Falcon 2000
ILLUSTRATED PARTS CATALOG

FIG ITEM	PART NUMBER	NOMENCLATURE		EFFECT. USAGE CODE	UNITS PER ASSY
		1234567	INDEX		
340B	AN960PD10L	.WASHER OPT TO NAS1149D0316K		From: 001 To: 231	8
350A	22NM02	.NUT,SELF-LOCKING		From: 001 To: 231	4

360A	360PS01A5A	.PUSHBUTTON 503QJ		From: 001 To: 231	1
370C	722500-1	.BOX,FUEL LOW LEVEL DETECTION 120QS		From: 001 To: 231	1
370D	722-500-1	.BOX,FUEL LOW LEVEL DETECTION OPT TO 722500-1 120QS		From: 001 To: 231	1
		ATTACHING PARTS			
380A	AN173-4A	.SCREW		From: 001 To: 231	4
390A	AN960-10L	.WASHER OPT TO NAS1149F0332P		From: 001 To: 231	8
400A	NAS1773C3M	.NUT		From: 001 To: 231	3
410A	NAS1770C3M	.NUT		From: 001 To: 231	1

420A	B06GA1050	.VALVE,UNDERPRESSURE L80QD R80QD		From: 001 To: 231	2
420B	B06GA1051	.VALVE,UNDERPRESSURE L80QD R80QD		From: 001 To: 231	2
420C	B06GA1052	.VALVE,UNDERPRESSURE L80QD R80QD		From: 001 To: 231	2
420D	B06GA1052-1	.WING VACUUM RELIEF VALVE OPT TO B06GA1051-1 L80QD R80QD		From: 001 To: 231	2
420E	B06GA1051-1	.WING VACUUM RELIEF VALVE OPT TO B06GA1052-1 L80QD R80QD		From: 001 To: 231	2
		ATTACHING PARTS			
430A	F50B522000115	.SCREW MADE FROM NAS1351-3H20P		From: 001 To: 231	12
440A	23111DG050A	.WASHER		From: 001 To: 231	12

Falcon 2000
ILLUSTRATED PARTS CATALOG

FIG ITEM	PART NUMBER	NOMENCLATURE		EFFECT. USAGE CODE	UNITS PER ASSY
		1234567	INDEX		
450A	01320697008	.INSERT,THREAD		From: 001 To: 231	12

460A	F50B112015	.PLATE		From: 001 To: 231	1
470A	MS29513-132	.PACKING,PREFORMED		From: 001 To: 231	2