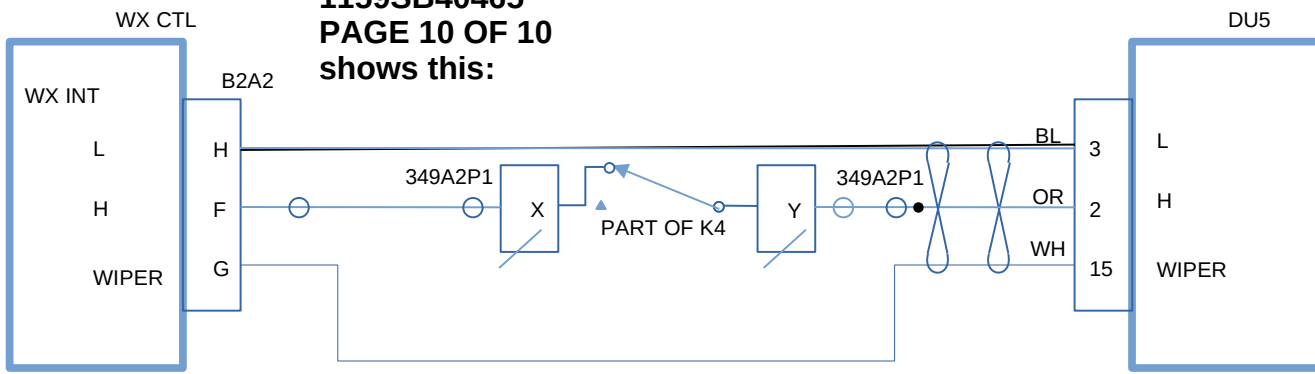


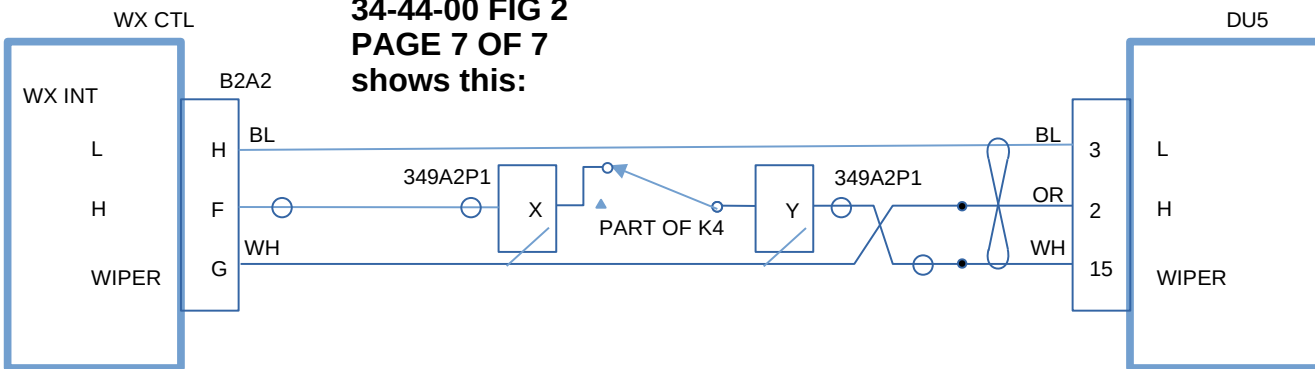
1159SB40465
PAGE 10 OF 10
shows this:



EGPWS - RADAR
GRAPHICS
OVERLAY
SWITCHING

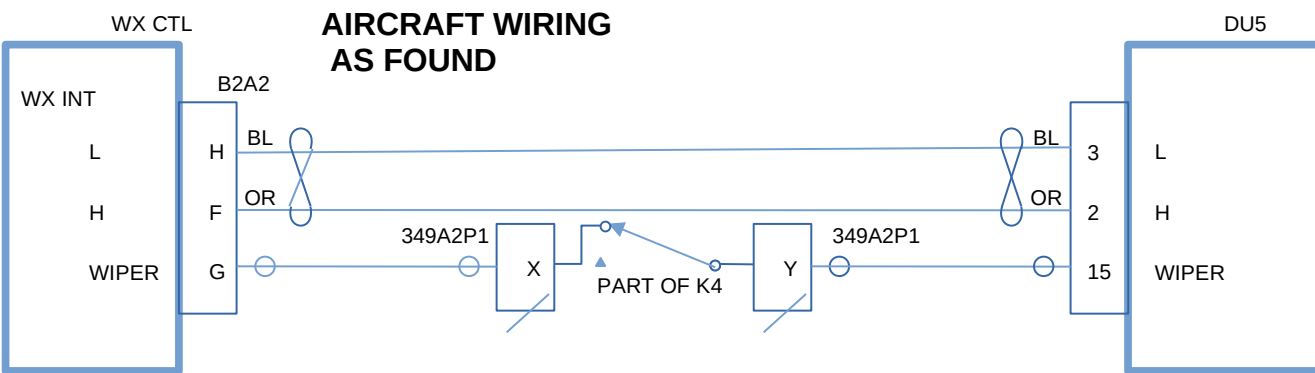
Copilot Switching
Shown, Pilot
switching is
identical.

34-44-00 FIG 2
PAGE 7 OF 7
shows this:

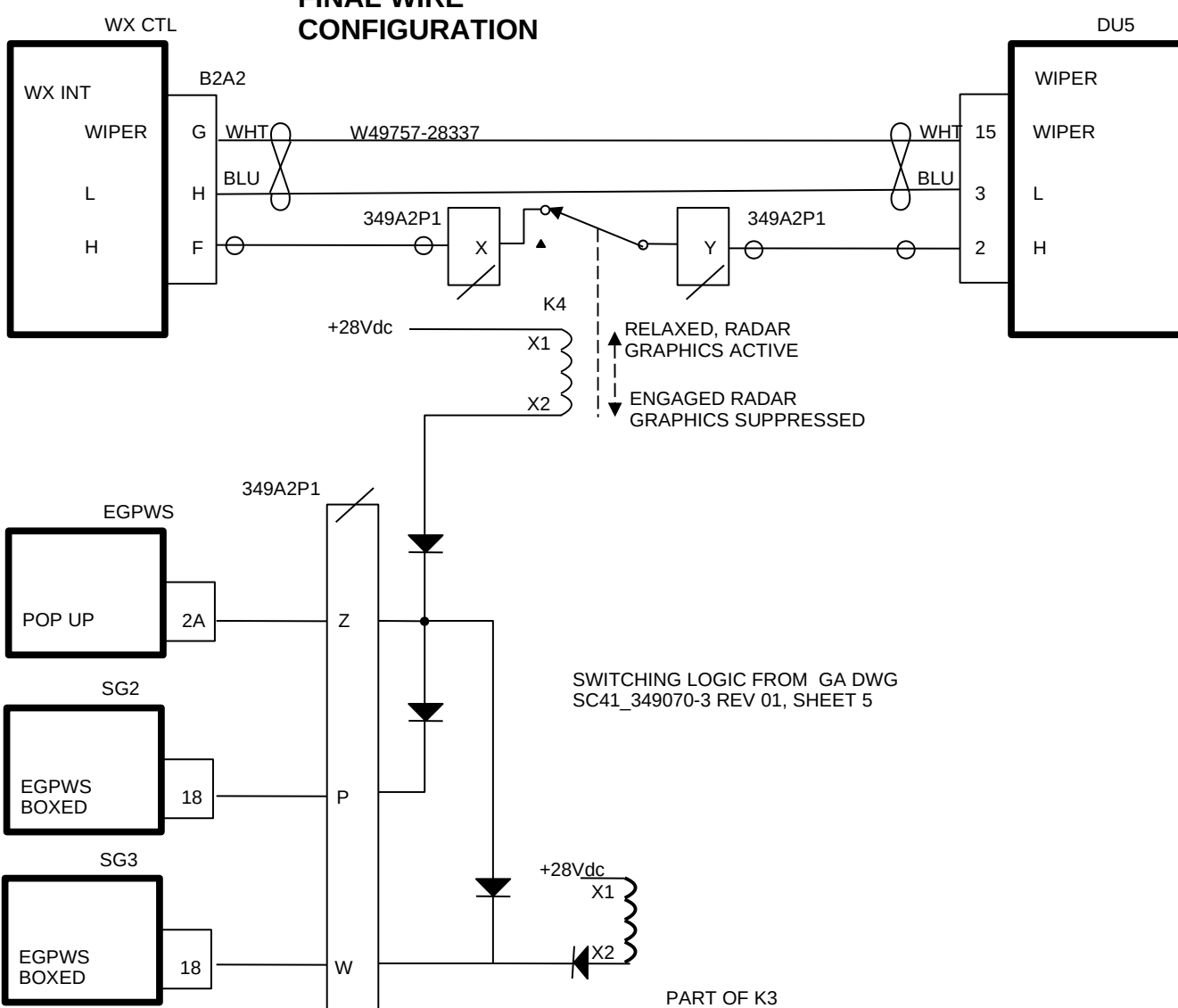


34-44-00 FIG 2
PAGE 7 OF 7
shows this:

AIRCRAFT WIRING
AS FOUND



FINAL WIRE
CONFIGURATION



EGPWS graphics
are enabled when
radar graphics are
suppressed by
removing RADAR
INTENSITY HI
signal when:

1. EGPWS POPUP mode.
2. Pilot DCU EGPWS BOXED
3. Copilot DCU EGPWS BOXED