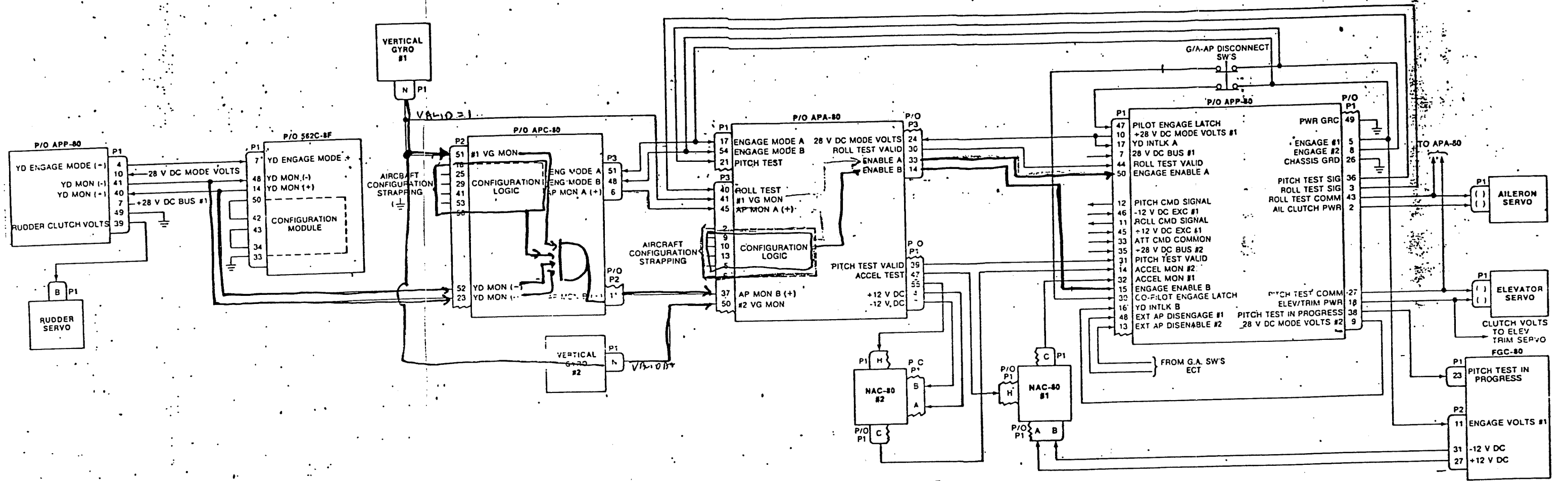


1124A FCS 80 ENGAGE SYSTEM

2 of 2



Autopilot and Yaw Damper