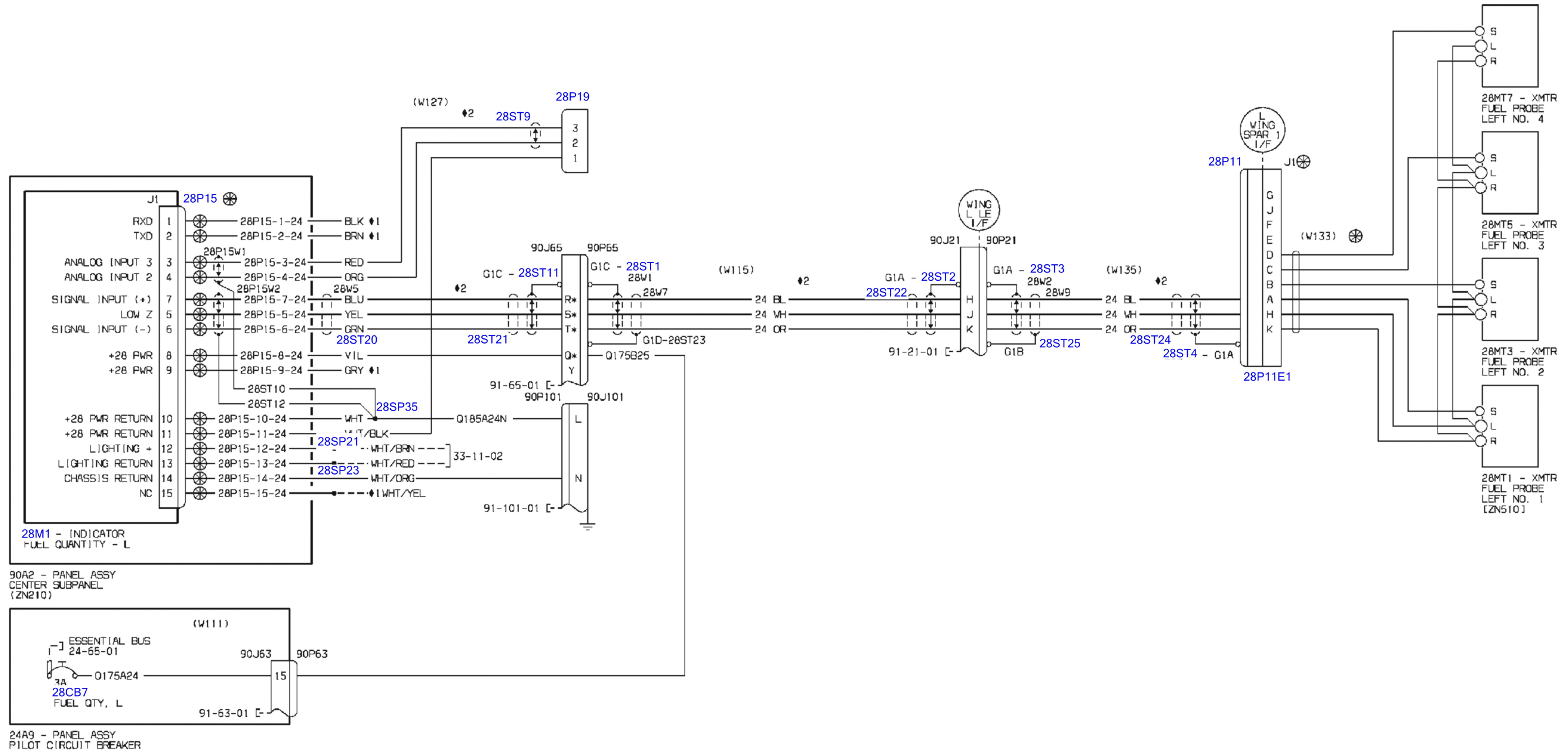


Model 390 Wiring Diagram Manual
INDICATING - FUEL QUANTITY, LH



NOTES:

- ◆1 UNUSED VENDOR WIRE SHALL BE TRIMMED AND CAPPED.
- ◆2 OVERBRAID Q0B575R36T125

RB28F
002260AD.TIF