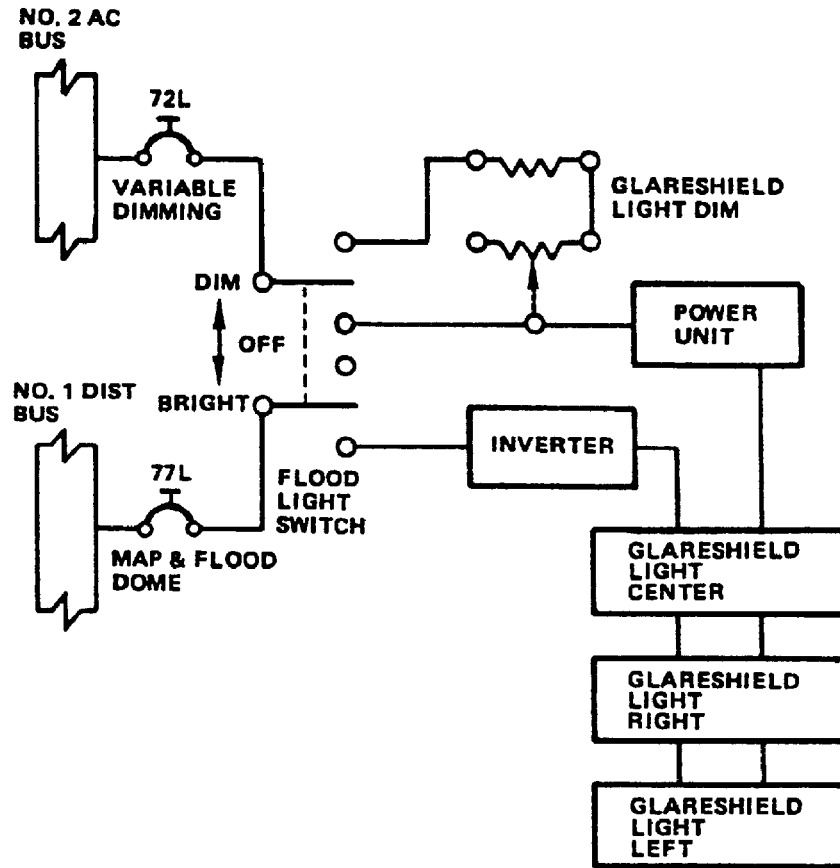


GULFSTREAM G100 / SPX
MAINTENANCE MANUAL



33-10-00-502

Floodlights - Electrical Schematic
Figure 503