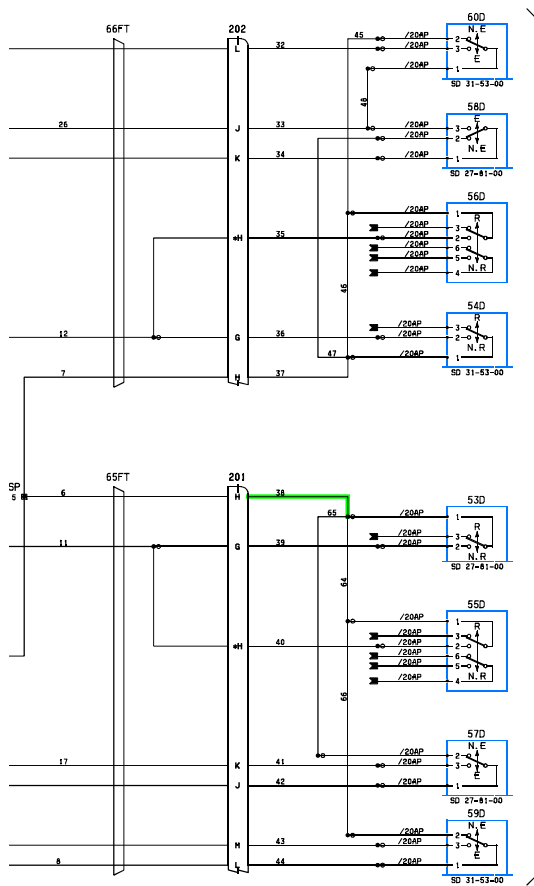


**S 27-82-00 SLATS - MONITORING**

See PU for effectivity

Folio 1/1



- ① E = EXTENDED
- NE= NOT EXTENDED
- R = RETRACTED
- NR= NOT RETRACTED

SHIELDED WIRES CONNECTED BY A TERMINAL JUNCTION OR SPLICE HAVE THE SHIELDING JOINTED TOGETHER  
(THIS JUNCTION IS NOT ILLUSTRATED IN THIS WD)