



**S 27-81-00 SLATS - CONTROL**

See PU for effectivity

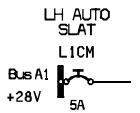
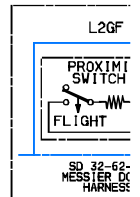
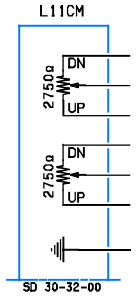
Folio 1/4



PROPRIETARY INFORMATION - THE INFORMATION ON THIS DRAWING IS CONSIDERED PROPRIETARY AND MAY NOT IN WHOLE OR IN PART BE REPRODUCED OR USED FOR THE MANUFACTURE OF THE PART DISCLOSED HERE IN WITHOUT WRITTEN PERMISSION OF DASSAULT AVIATION

- 261J/P AFT LH WING CUT-OFF CONNECTOR
- 252J/P FWD RH WING CUT-OFF CONNECTOR
- 251J/P FWD LH WING CUT-OFF CONNECTOR
- 82J RADIO/ELEC CUT-OFF CONNECTOR
- 81J RADIO/ELEC CUT-OFF CONNECTOR
- 56J GEAR CUT-OFF CONNECTOR
- 55J GEAR CUT-OFF CONNECTOR
- 6PA MAIN ELECTRICAL BOX
- 410JE RELAY PRINTED CIRCUIT BOARD
- 409JE RELAY PRINTED CIRCUIT BOARD
- 408JE COMPONENT PRINTED CIRCUIT BOARD
- 407JE COMPONENT PRINTED CIRCUIT BOARD
- R2GF MAIN LANDING GEAR
- L2GF MAIN LANDING GEAR
- R72FV DATA ACQUISITION UNIT 2
- 19CM DIODE
- 18CM SLATS MONITORING RELAY
- 17CM INBOARD SLAT VALVE
- R16CM RH OUTBOARD SLAT POSITION DETECTOR
- L16CM LH OUTBOARD SLAT POSITION DETECTOR
- R15CM RH INBOARD SLAT POSITION DETECTOR
- L15CM LH INBOARD SLAT POSITION DETECTOR
- R14CM STALL 2 PUSHBUTTON
- L14CM STALL 1 PUSHBUTTON
- R13CM STALL 2 RELAY
- L13CM STALL 1 RELAY
- R12CM STALL PRINTED CIRCUIT BOARD
- L12CM STALL PRINTED CIRCUIT BOARD
- R11CM RH ANGLE-OF-ATTACK SENSOR
- L11CM LH ANGLE-OF-ATTACK SENSOR
- R8CM DIODE
- 7CM FLAP MICROSWITCH
- R6CM RH GROUND-FLIGHT RELAY
- L6CM LH GROUND-FLIGHT RELAY
- R3CM EMERGENCY/NORMAL SLATS VALVE
- L3CM OUTBOARD SLATS MANIFOLD
- R2CM RH SLAT CONTROL RELAY
- L2CM LH SLAT CONTROL RELAY
- R1CM RH AUTO SLAT CIRCUIT BREAKER
- L1CM LH AUTO SLAT CIRCUIT BREAKER
- 2CG FLAPS/SLATS CONTROL UNIT

- GEAR COMPT, LH FR 19-20
- WING FILLET, RH FR 15
- WING FILLET, LH FR 15
- COCKPIT, RH FR 4-5 FLOOR
- COCKPIT, LH FR 4-5 FLOOR
- MAIN GEAR, RH COMPT
- MAIN GEAR, LH COMPT
- REAR COMPT, FR 31 CENTER
- CABINET, RH FR 4-5
- CABINET, LH FR 4-5
- CABINET, RH FR 4-5
- CABINET, LH FR 4-5
- MAIN GEAR, RH COMPT
- MAIN GEAR, LH COMPT
- CABINET, RH FR 4-5
- LH FR 14-15
- CABINET, LH FR 4-5
- LH FR 14-15
- RH WING, AT TRACK NO 7
- LH WING, AT TRACK NO 7
- RH WING, AT TRACK NO 7
- LH WING, AT TRACK NO 7
- PEDESTAL
- PEDESTAL
- CABINET, RH FR 4-5
- CABINET, LH FR 4-5
- CABINET, RH FR 4-5
- CABINET, LH FR 4-5
- RH FR 3
- LH FR 3
- MAIN GEAR, RH COMPT
- LH WING
- CABINET, RH FR 4-5
- CABINET, LH FR 4-5
- MAIN GEAR, RH COMPT
- LH FR 14-15
- CABINET, RH FR 4-5
- CABINET, LH FR 4-5
- BREAKER PANEL, CENTER
- BREAKER PANEL, CENTER
- PEDESTAL



**SLATS  
CONTROL**

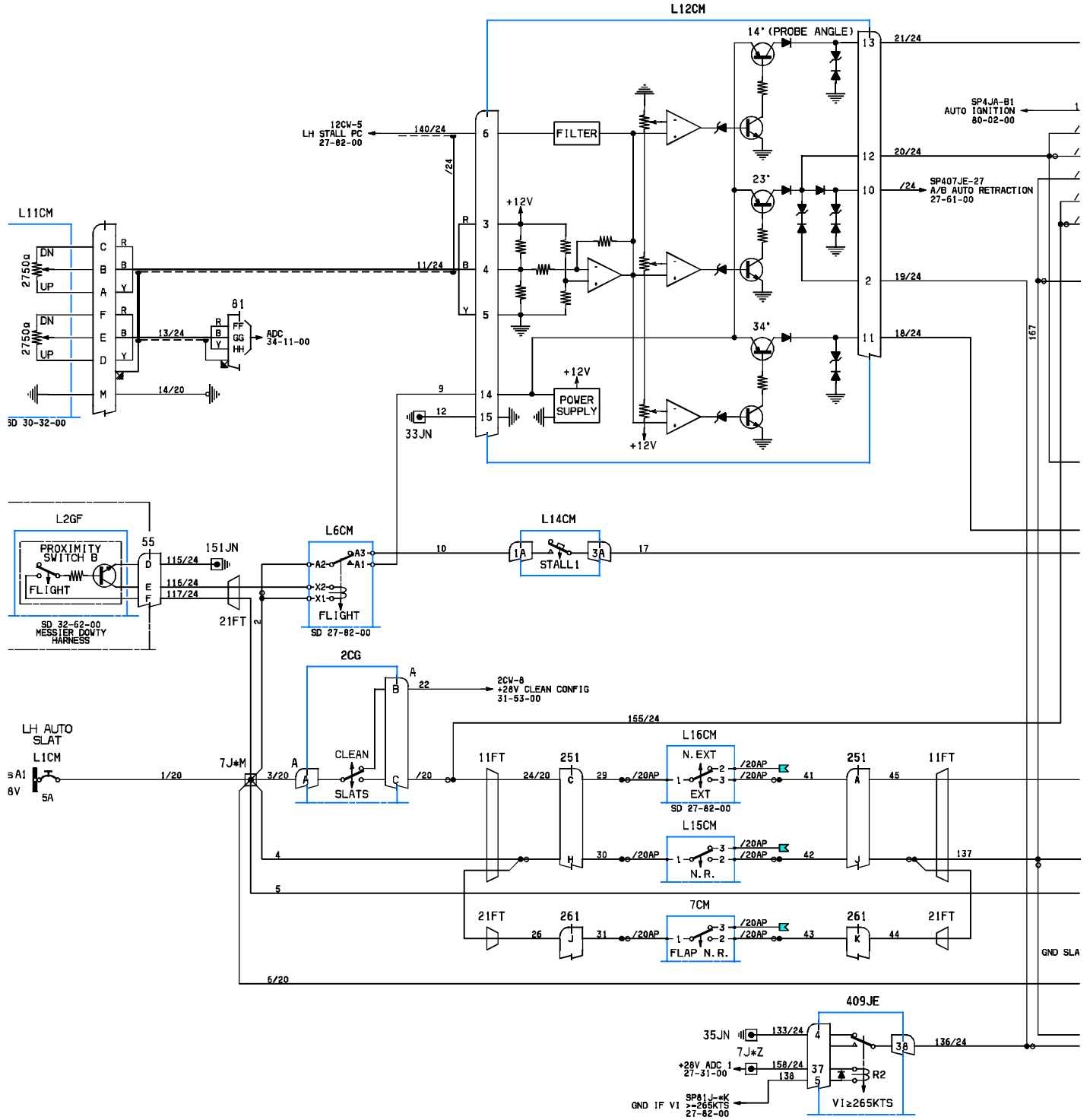
**27-81-00 A5**  
ISSUE : 4



### S 27-81-00 SLATS - CONTROL

See PU for effectivity

Folio 2/4

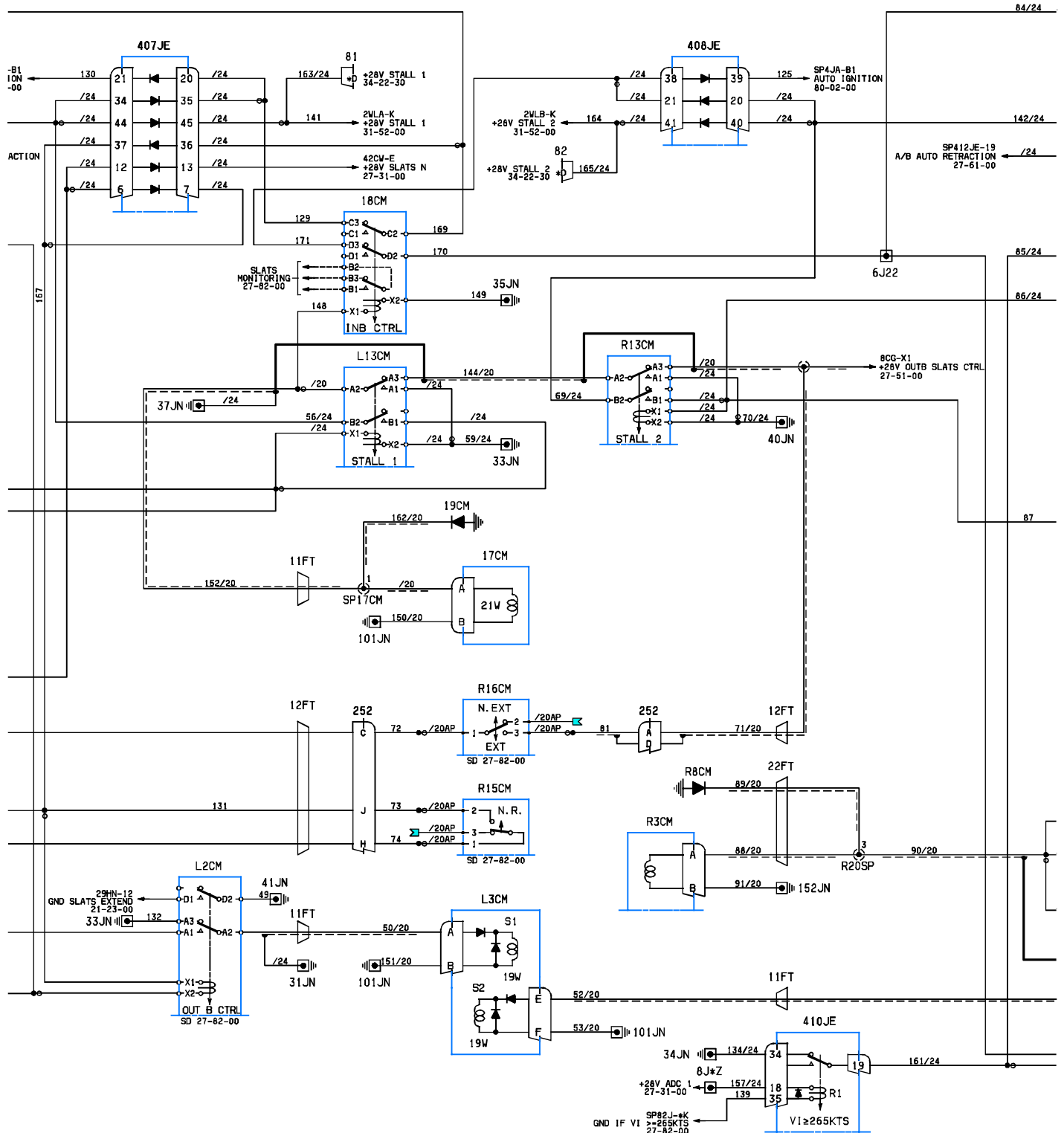


UNLESS OTHERWISE SPECIFIED : ALL WIRE IS AWG 22

### S 27-81-00 SLATS - CONTROL

See PU for effectivity

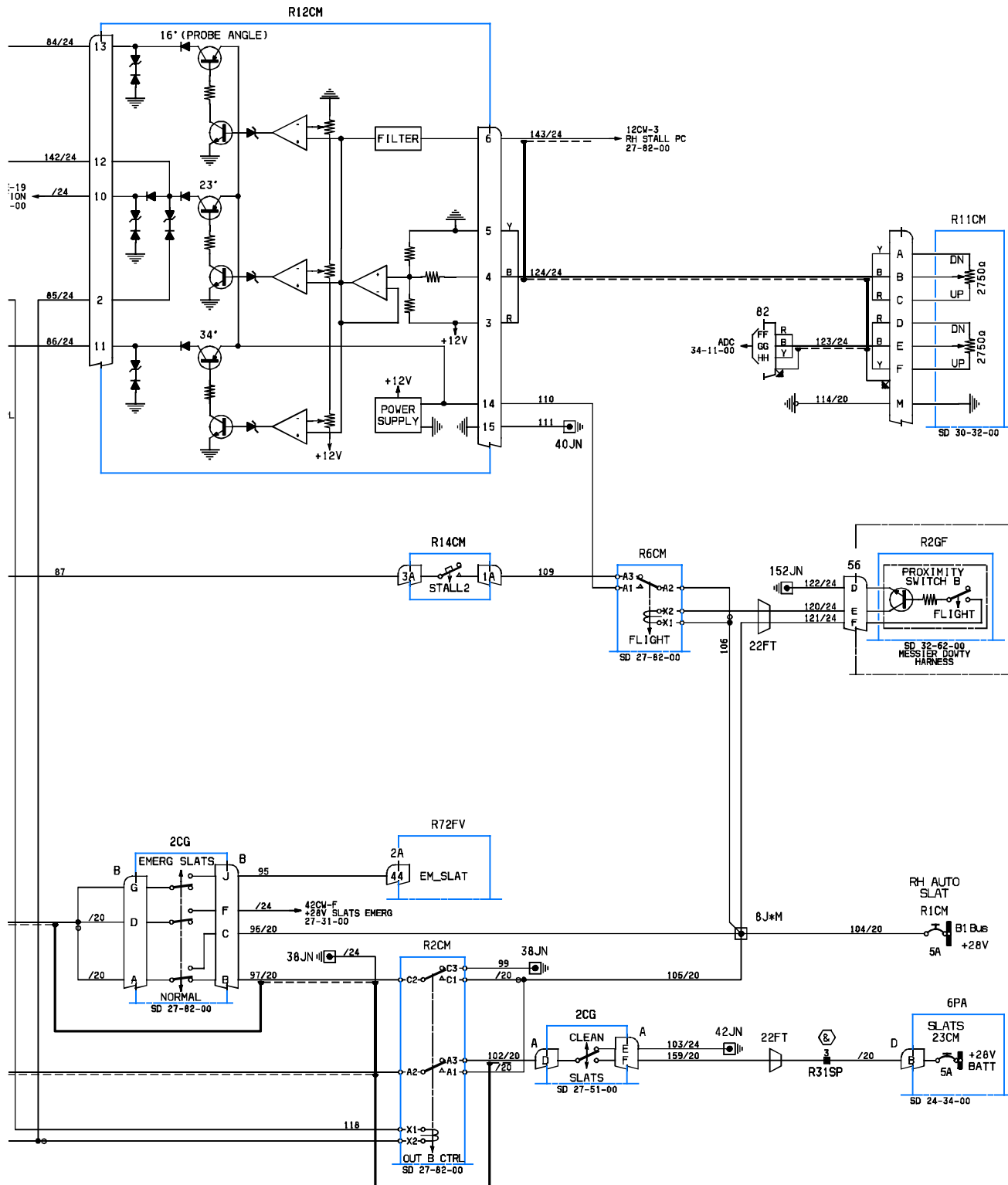
Folio 3/4



**S 27-81-00 SLATS - CONTROL**

See PU for effectivity

Folio 4/4



⊗ WIRE SEPARATED FROM MAIN BUNDLE AND SPLICES CONNECTED DURING A/C INSTALLATION  
SHIELDED WIRES CONNECTED BY A TERMINAL JUNCTION OR SPLICE HAVE THE SHIELDING JOINTED TOGETHER (THIS JUNCTION IS NOT ILLUSTRATED IN THIS WD)