

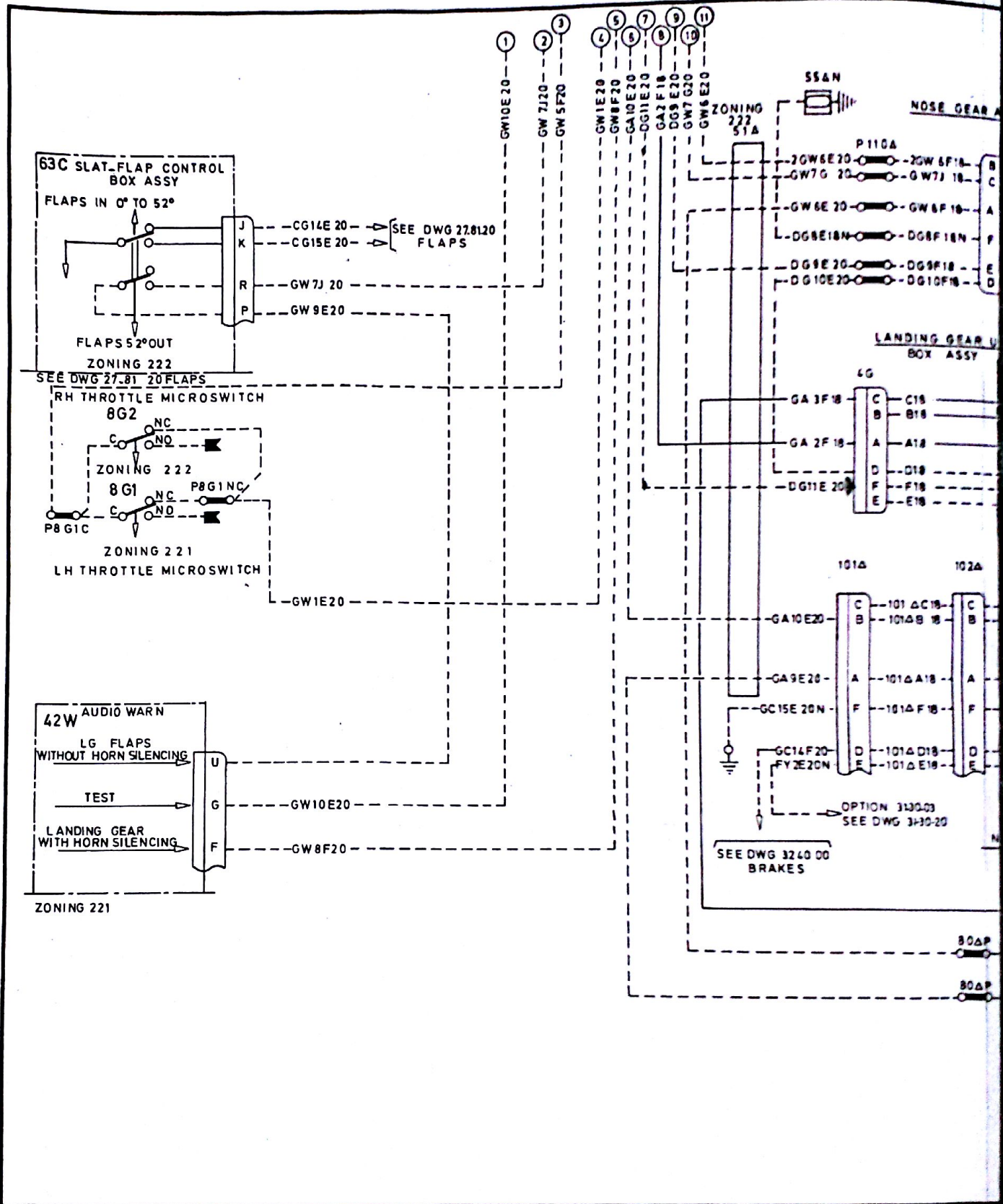
Depress

LANDING GEAR(WIRING)



FALCON 10

WIRING DIAGRAM MANUAL



32-30-00

Page 101-1

May 10, 1978